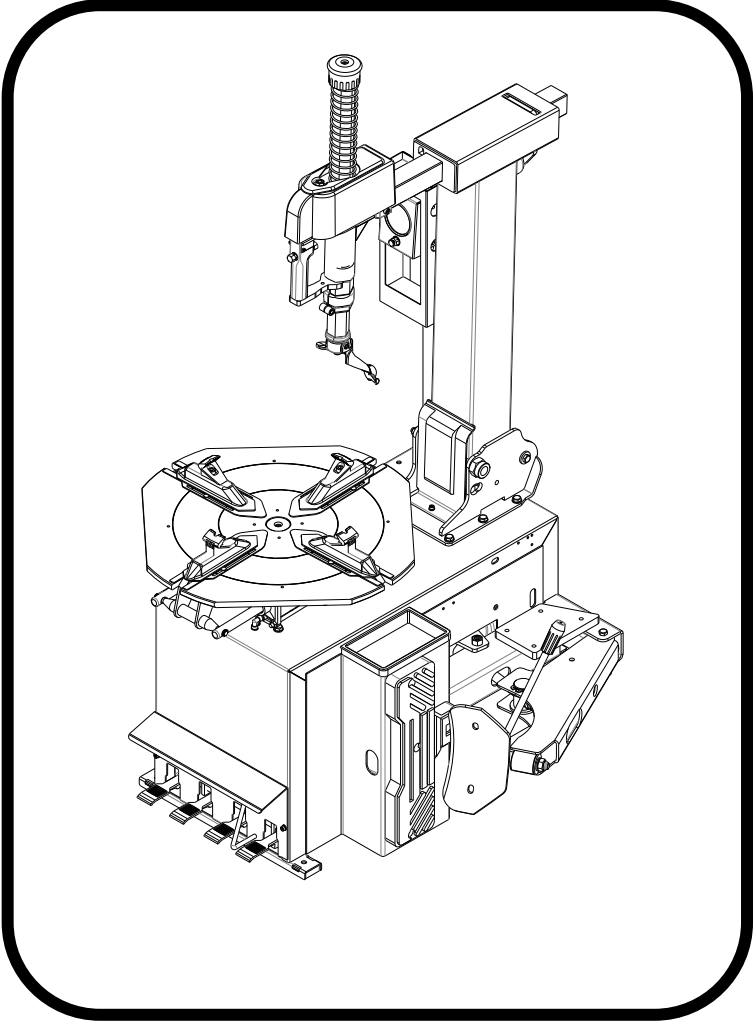
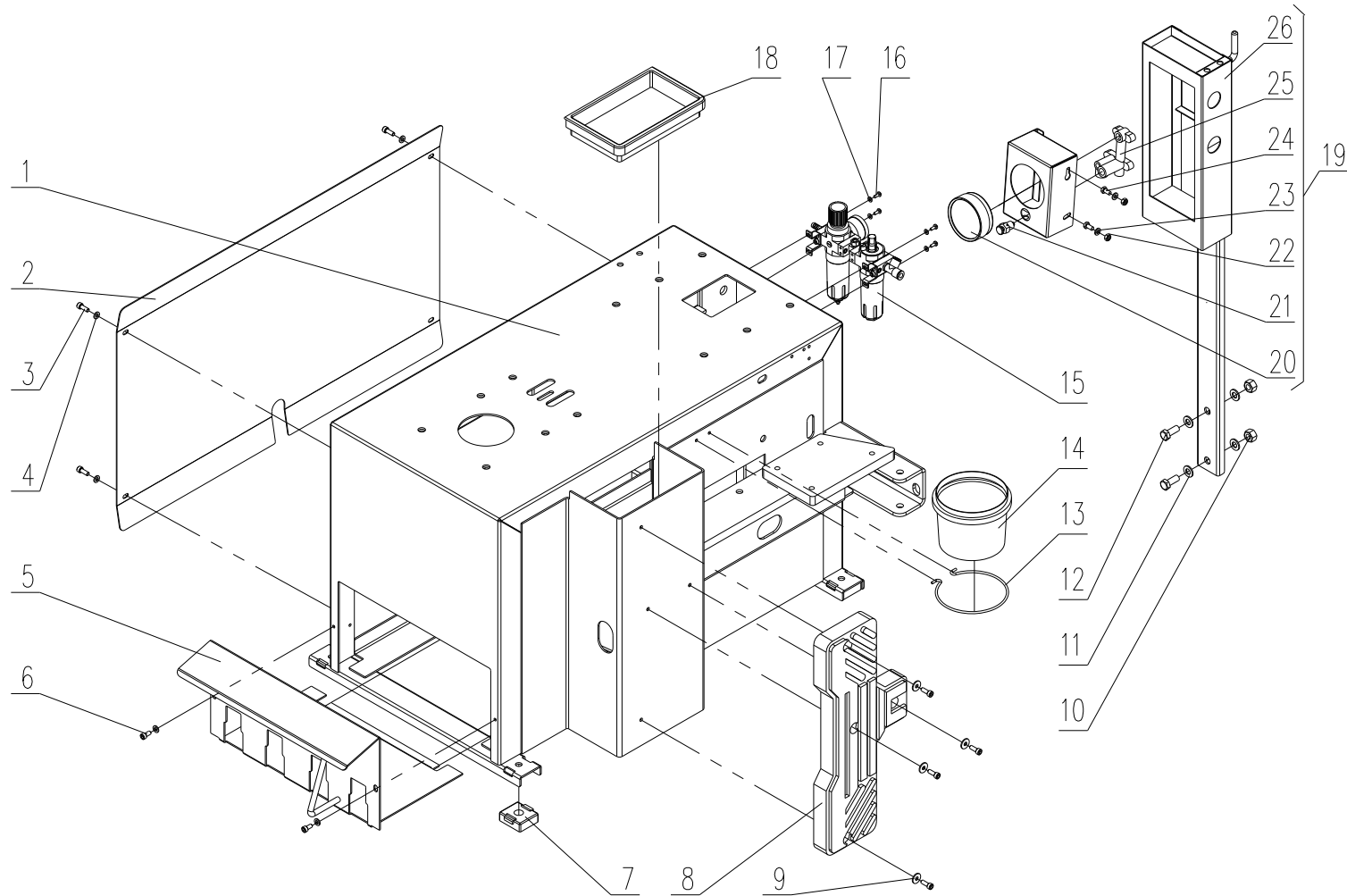


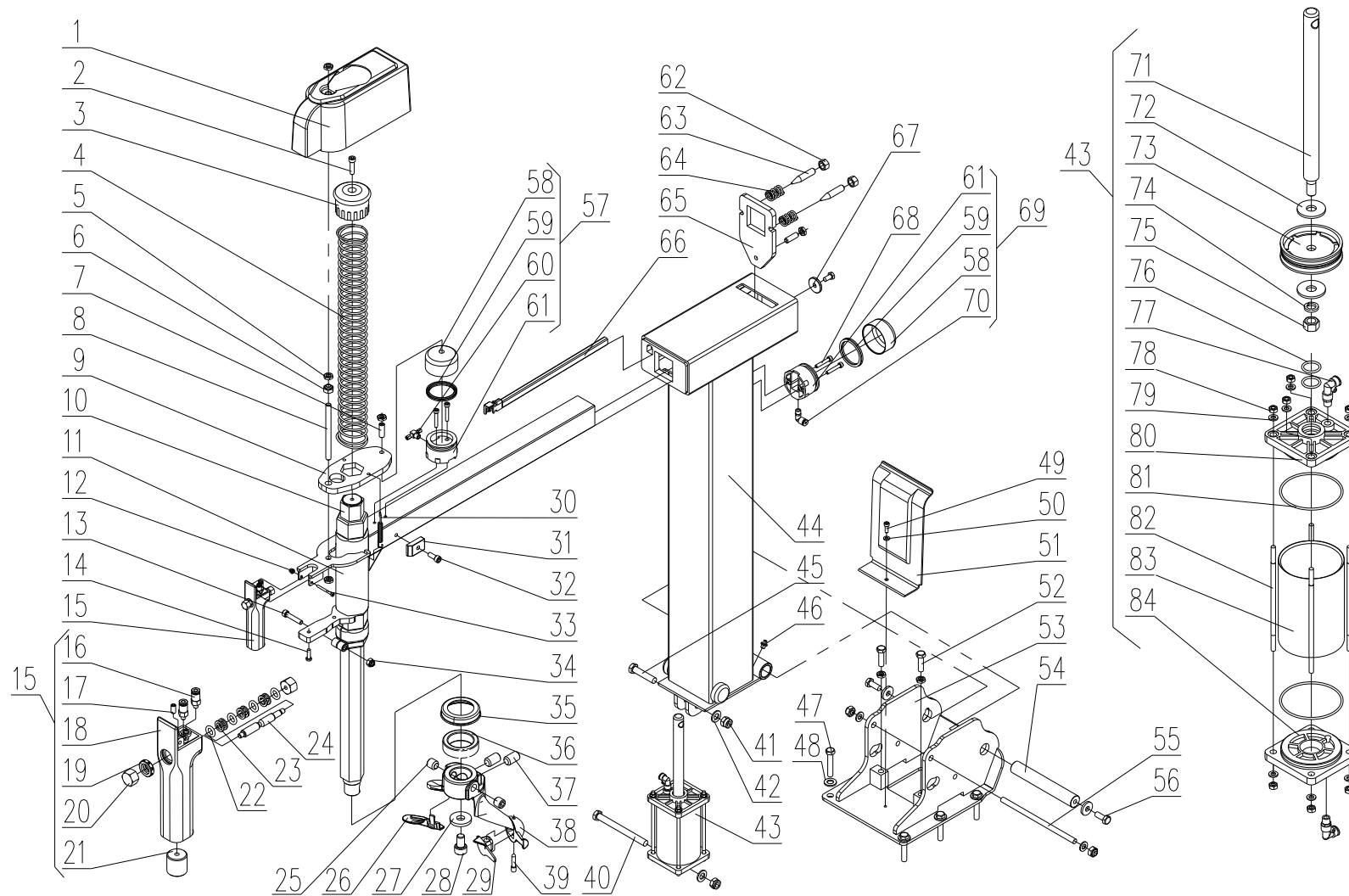
HC8510 Explosive Drawing





1		Main Body			2019/04
S/N	Code	Name	Qty	Mark	
1	HC8510-01-01	Body Weldment	1		
2	HC8510-01-02	Side Cover Plate	1		
3	HC8510-01-03	Screw M6X16	8		
4	HC8510-01-04	Flat Washer Class A 6	6		
5	HC8510-01-05	Baffle Plate for Pedal	1		
6	HC8510-01-06	Screw M6X12	2		
7	HC8510-01-07	Foot Rubber	4		
8	HC8510-01-08	Beadbreaker Rubber	1		
9	HC8510-01-09	Big Wahser 6	4		
10	HC8510-01-10	Bolt M10	2		
11	HC8510-01-11	Flat Washer Class A 10	4		
12	HC8510-01-12	Bolt M10X25	2		
13	HC8510-01-13	Container Storage Ring	1		
14	HC8510-01-14	Grease Container	1		
15	HC8510-01-15	Water Oil Separator A	1		
16	HC8510-01-16	Screw M4X10	4		
17	HC8510-01-17	Flat Washer Class A 4	4		
18	HC8510-01-18	Plastic Cover	1		
19	HC8510-01-19	Inflation Device Stand Assembly	1		
20	HC8510-01-20	Pressure Gauge	1		
21	HC8510-01-21	Release Valve	1		

1		Main Body			2019/04
S/N	Code	Name	Qty	Mark	
22	HC8510-01-22	Screw M6	2		
23	HC8510-01-23	Flat Washer Class A 6	2		
24	HC8510-01-24	Bolt M6X12	2		
25	HC8510-01-25	Rack	1		
26	HC8510-01-26	Gauge Case	1		
27					
28					
29					
30					
31					
32					
33					
34					
35					
36					
37					
38					
39					
40					
41					
42					



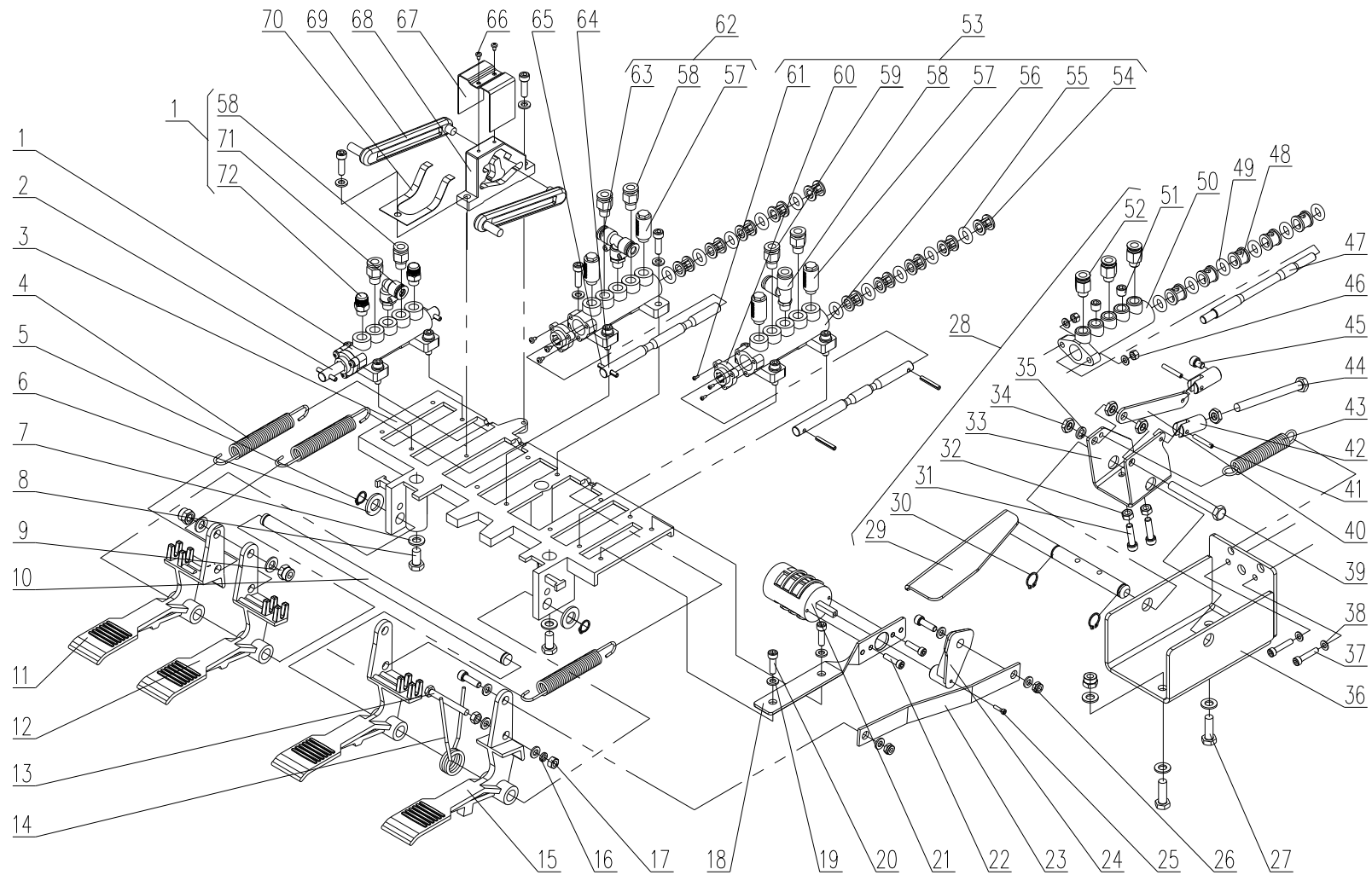
2		Vertical Column Assembly			2019/04
S/N	Code	Name	Qty	Mark	
1	HC8510-02-01	Plastic Cover	1		
2	HC8510-02-02	Screw M8X30	1		
3	HC8510-02-03	Plastic Cover for shaft	1		
4	HC8510-02-04	Spring	1		
5	HC8510-02-05	Thin Bolt M10	8		
6	HC8510-02-06	Lock Nut M10	3		
7	HC8510-02-07	Lock Screw M10X30	2		
8	HC8510-02-08	Adjusting Screw for Lock Plate	1		
9	HC8510-02-09	Lock Plate for Hexagon Shaft	1		
10	HC8510-02-10	Hexagon Shaft	1		
11	HC8510-02-11	Sliding Arm Weldment	1		
12	HC8510-02-12	Lock Nut M4	1		
13	HC8510-02-13	Screw M8X40	1		
14	HC8510-02-14	Screw M6X20	1		
15	HC8510-02-15	Control Valve Assembly	1		
16	HC8510-02-16	Quick Fitting M5-φ4	2		
17	HC8510-02-17	Lock Nut M5X10	1		
18	HC8510-02-18	Control Valve	1		
19	HC8510-02-19	Cap	1		
20	HC8510-02-20	Button	2		

2		Vertical Column Assembly			2019/04
S/N	Code	Name	Qty	Mark	
21	HC8510-02-21	Control Valve Fixing Pin	1		
22	HC8510-02-22	O Ringd8X2.65	4		
23	HC8510-02-23	Valve Bushing	3		
24	HC8510-02-24	Valve Rod	1		
25	HC8510-02-25	Lock Nut M12X12	2		
26	HC8510-02-26	Tool Head Protection	1		
27	HC8510-02-27	Washer	1		
28	HC8510-02-28	Bolt M10X16	1		
29	HC8510-02-29	Tool Head Protection	1		
30	HC8510-02-30	Torsion Spring	1		
31	HC8510-02-31	Limit Plate	1		
32	HC8510-02-32	Screw M8X20	1		
33	HC8510-02-33	Screw M4X40	1		
34	HC8510-02-34	Lock Nut M8	1		
35	HC8510-02-35	Shock Absorption Rack	1		
36	HC8510-02-36	Shock Absorption Ring	1		
37	HC8510-02-37	Lock Nut M12X20	2		
38	HC8510-02-38	Tool Head	1		
39	HC8510-02-39	Screw Shaft	1		
40	HC8510-02-40	Bolt M12X130	1		

2		Vertical Column Assembly			2019/04
S/N	Code	Name	Qty	Mark	
41	HC8510-02-41	Lock Nut M12	2		
42	HC8510-02-42	Flat Washer Class A12	2		
43	HC8510-02-43	Vertical Cylinder Assembly	1		
44	HC8510-02-44	Vertical Column Assembly	1		
45	HC8510-02-45	Bolt M12X55	1		
46	HC8510-02-46	Oil Cup M8X1	1		
47	HC8510-02-47	Bolt M10X55	6		
48	HC8510-02-48	Flat Washer Class A 10	8		
49	HC8510-02-49	Bolt M6X16	1		
50	HC8510-02-50	Flat Washer Class A 6	1		
51	HC8510-02-51	Plastic Cover	1		
52	HC8510-02-52	Bolt M10X35	2		
53	HC8510-02-53	Vertical Column Base Weldment	1		
54	HC8510-02-54	Rotation Shaft	1		
55	HC8510-02-55	Screw Shaft M10X200	1		
56	HC8510-02-56	Bolt M10X25	2		
57	HC8510-02-57	Lock Cylinder Valve Assembly	1		
58	HC8510-02-58	Lock Cylinder Cap	2		
59	HC8510-02-59	YX Sealing Kit ϕ 59.5X50X5	2		
60	HC8510-02-60	Fitting ϕ 4 1/8"	1		

2		Vertical Column Assembly			2019/04
S/N	Code	Name	Qty	Mark	
61	HC8510-02-61	Lock Cylinder Valve Assembly	2		
62	HC8510-02-62	Bolt M12	2		
63	HC8510-02-63	Location Screw M12X60	2		
64	HC8510-02-64	Spring	2		
65	HC8510-02-65	Sliding Arm Locking Plate	1		
66	HC8510-02-66	Air Hose Guide	1		
67	HC8510-02-67	Washer	1		
68	HC8510-02-68	Screw M6X35	4		
69	HC8510-02-69	Lock Cylinder Valve Assembly	1		
70	HC8510-02-70	Fitting $\phi 4 \frac{1}{8}$ "	1		
71	HC8510-02-71	Piston Rod	1		
72	HC8510-02-72	Big Washer 12	2		
73	HC8510-02-73	Piston	1		
74	HC8510-02-74	Elastic Washer 12	1		
75	HC8510-02-75	Bolt M12	1		
76	HC8510-02-76	O Ring d20X2.65	2		
77	HC8510-02-77	Fitting $\phi 6 \frac{1}{8}$ "	2		
78	HC8510-02-78	Bolt M8	8		
79	HC8510-02-79	Flat Washer Class A 8	8		
80	HC8510-02-80	Cylinder Cap	1		

2		Vertical Column Assembly			2019/04
S/N	Code	Name	Qty	Mark	
81	HC8510-02-81	O Ring d77.5X2.65	2		
82	HC8510-02-82	Fixing Rod M8X540	4		
83	HC8510-02-83	Cylinder Barrel	1		
84	HC8510-02-84	Cylinder Cap	1		
85					
86					
87					
88					
89					
90					
91					
92					
93					
94					
95					
96					
97					
98					
99					
100					

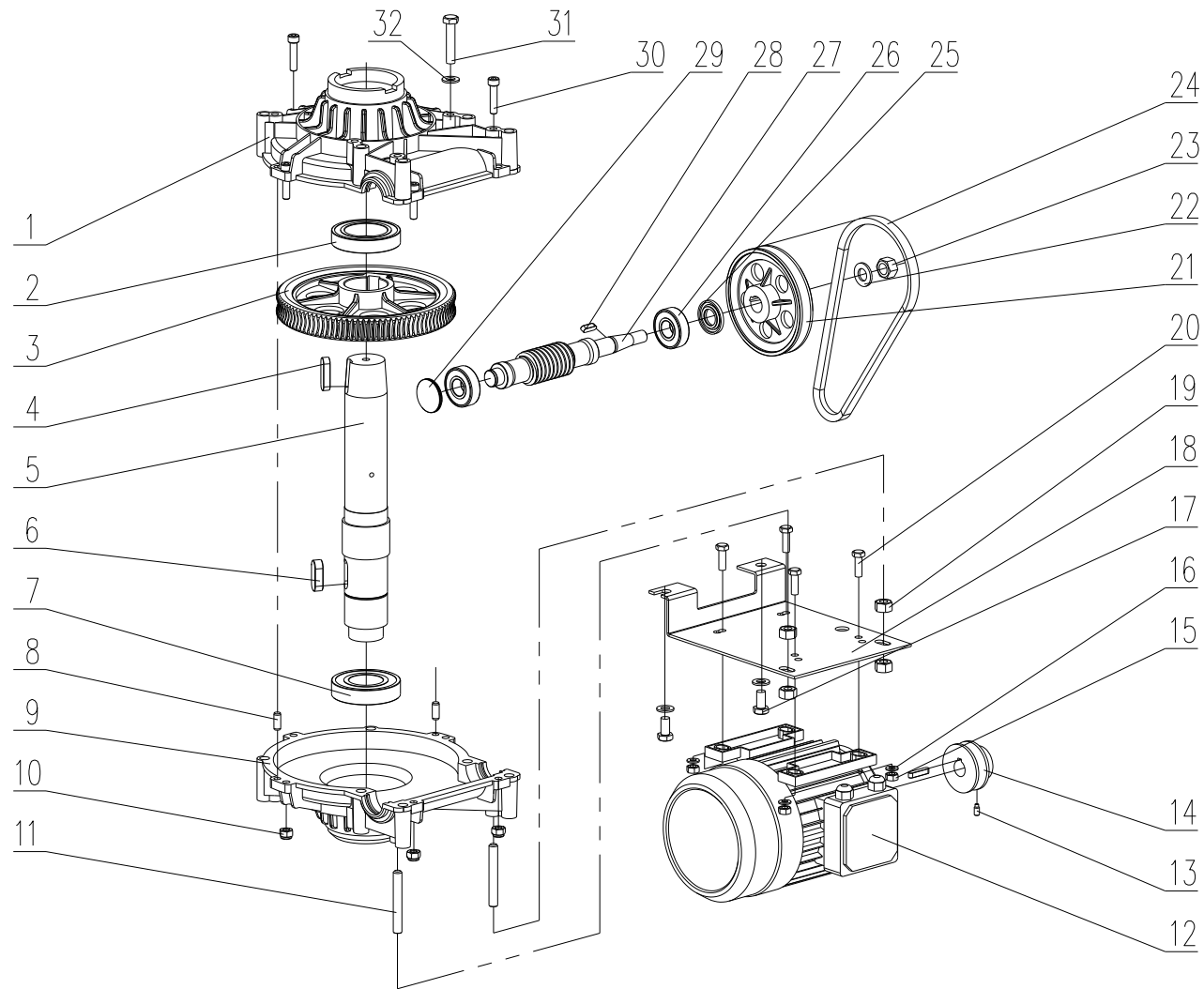


3		Pedal Assembly			2019/04
S/N	Code	Name	Qty	Mark	
1	HC8510-03-01	Pedal Valve Assembly			
2	HC8510-03-02	Valve Rod	2		
3	HC8510-03-03	Pedal Seat	1		
4	HC8510-03-04	Spring	3		
5	HC8510-03-05	Circlip 12	2		
6	HC8510-03-06	Flat Washer Class A 12	2		
7	HC8510-03-07	Flat Washer Class A 8	9		
8	HC8510-03-08	Bolt M8X16	3		
9	HC8510-03-09	Lock Nut M8	4		
10	HC8510-03-10	Pedal Shaft	1		
11	HC8510-03-11	Pedal	1		
12	HC8510-03-12	Pedal TF	2		
13	HC8510-03-13	Bolt M6X50	1		
14	HC8510-03-14	Torsion Spring	1		
15	HC8510-03-15	Pedal TF-C	1		
16	HC8510-03-16	Elastic Washer 6	1		
17	HC8510-03-17	Bolt M6	2		
18	HC8510-03-18	Switch Support	1		
19	HC8510-03-19	Flat Washer Class A 6	22		
20	HC8510-03-20	Bolt M6X20	18		

3		Pedal Assembly			2019/04
S/N	Code	Name	Qty	Mark	
21	HC8510-03-21	Switch 20A	1		
22	HC8510-03-22	Bolt M5X20	2		
23	HC8510-03-23	Switch Puller	1		
24	HC8510-03-24	Switch Support	1		
25	HC8510-03-25	Bolt M3X12	1		
26	HC8510-03-26	Lock Nut M6	2		
27	HC8510-03-27	Screw M8X25	2		
28	HC8510-03-28	Inflation Pedal Assembly	1		
29	HC8510-03-29	Inflation Pedal Weldment	1		
30	HC8510-03-30	Circlip 14	2		
31	HC8510-03-31	Bolt M6X25	2		
32	HC8510-03-32	Bolt M6	2		
33	HC8510-03-33	Pedal Fork	1		
34	HC8510-03-34	Thin Bolt M8	4		
35	HC8510-03-35	Elastic Washer 8	1		
36	HC8510-03-36	Pedal Seat	1		
37	HC8510-03-37	Bolt M5X25	2		
38	HC8510-03-38	Flat Washer Class A 5	4		
39	HC8510-03-39	Bolt M8X65	1		
40	HC8510-03-40	Connection Plate	1		

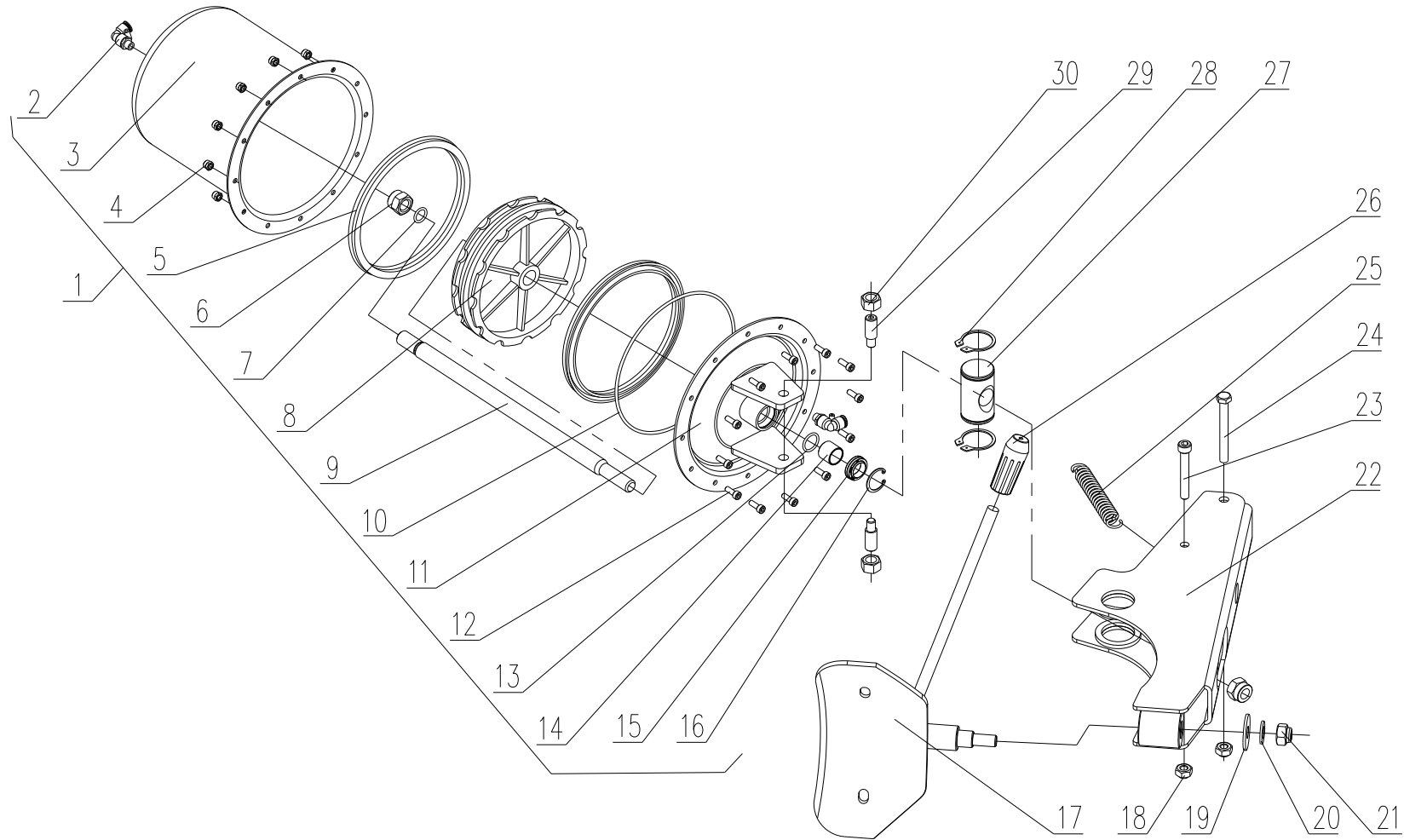
3		Pedal Assembly			2019/04
S/N	Code	Name	Qty	Mark	
41	HC8510-03-41	Elastic Round Pin 4X25	2		
42	HC8510-03-42	Threaded Bushing	2		
43	HC8510-03-43	Spring	1		
44	HC8510-03-44	Bolt M8X90	1		
45	HC8510-03-45	Screw M6X8	1		
46	HC8510-03-46	Bolt M5	2		
47	HC8510-03-47	Valve Rod	1		
48	HC8510-03-48	Valve Bushing	5		
49	HC8510-03-49	O Ring d9.5X4	6		
50	HC8510-03-50	Valve Body	1		
51	HC8510-03-51	Block ZG1/8	2		
52	HC8510-03-52	Fitting $\phi 8 \frac{1}{8}$ "	3		
53	HC8510-03-53	Pedal Valve Assembly	1		
54	HC8510-03-54	Inner Bushing	15		
55	HC8510-03-55	O Ring d9.7X4	15		
56	HC8510-03-56	Valve Body	3		
57	HC8510-03-57	Silencer	4		
58	HC8510-03-58	Fitting $\phi 8 \frac{1}{8}$ "	1		
59	HC8510-03-59	Fitting $\phi 8 \frac{1}{8}$ "	6		
60	HC8510-03-60	Valve Cap	3		

3		Pedal Assembly			2019/04
S/N	Code	Name	Qty	Mark	
61	HC8510-03-61	Self-tapping Screw ST3.5X13	9		
62	HC8510-03-62	Valve Assembly	1		
63	HC8510-03-63	Fitting φ8 1/8"	1		
64	HC8510-03-64	Valve Rod	1		
65	HC8510-03-65	Elastic Round Pin 4X25	5		
66	HC8510-03-66	Self-Tapping Screw ST2.9X6.5	2		
67	HC8510-03-67	Baffle Pate	1		
68	HC8510-03-68	Cam	1		
69	HC8510-03-69	Connection Rod	2		
70	HC8510-03-70	Spring Plate	1		
71	HC8510-03-71	Fitting φ8 1/8"			
72	HC8510-03-72	Silencer 1/8"	2		
73					
74					
75					
76					
77					
78					
79					
80					



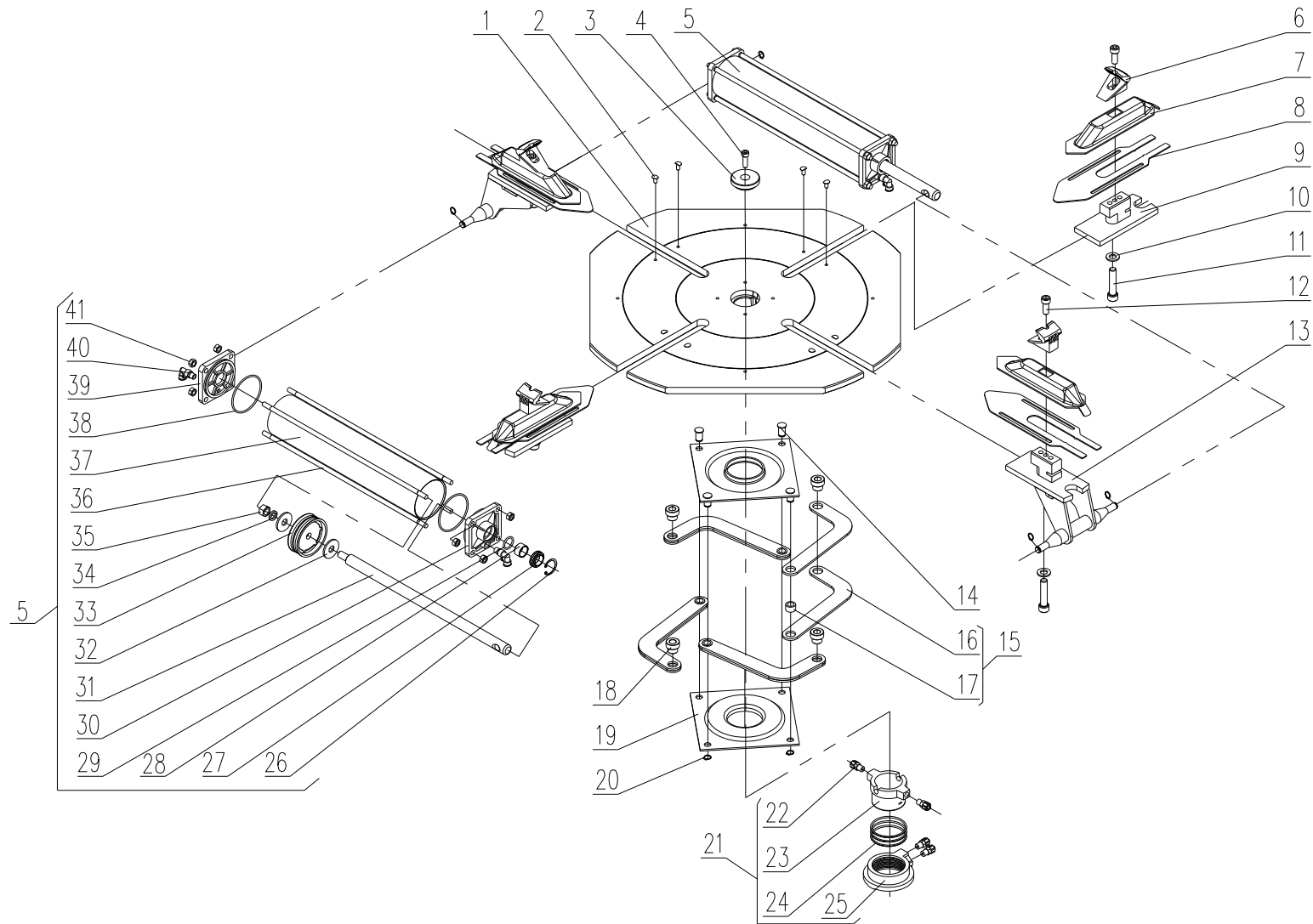
4		Gear Box Assembly			2019/04
S/N	Code	Name	Qty	Mark	
1	HC8510-04-01	Gear Box Cover	1		
2	HC8510-04-02	Ball Bearing 6010	1		
3	HC8510-04-03	Worm Gear	1		
4	HC8510-04-04	Flat Key 12X8X40	1		
5	HC8510-04-05	Vertical Shaft	1		
6	HC8510-04-06	Flat Key 14X9X36	1		
7	HC8510-04-07	Ball Bearing 6208	1		
8	HC8510-04-08	Round Pin 8X20	2		
9	HC8510-04-09	Bottom Cover	1		
10	HC8510-04-10	Lock Nut M8	7		
11	HC8510-04-11	Lock Screw M10X75	2		
12	HC8510-04-12	Dual Speed Motor	1		
13	HC8510-04-13	Lock Nut M6X10	1		
14	HC8510-04-14	Belt Pulley	1		
15	HC8510-04-15	Bolt M8	4		
16	HC8510-04-16	Flat Washer Class A 8	4		
17	HC8510-04-17	Bolt M10X20	2		
18	HC8510-04-18	565 Motor Plate	1		
19	HC8510-04-19	Bolt M10	4		
20	HC8510-04-20	Bolt M8X25	4		

4		Gear Box Assembly			2019/04
S/N	Code	Name	Qty	Mark	
21	HC8510-04-21	Belt Pulley	1		
22	HC8510-04-22	Flat Washer Class A 14	1		
23	HC8510-04-23	Bolt M14	1		
24	HC8510-04-24	V Belt A635	1	6207014	
25	HC8510-04-25	Seal	1		
26	HC8510-04-26	Ball Bearing 6205	2	6207010	
27	HC8510-04-27	Worm Shaft	1		
28	HC8510-04-28	Flat Key 6X6X18	1		
29	HC8510-04-29	Seal 40X8	1		
30	HC8510-04-30	Screw M8X35	7		
31	HC8510-04-31	Bolt M10X50	6		
32	HC8510-04-32	Flat Washer Class A 10	8		
33					
34					
35					
36					
37					
38					
39					
40					



5		Bead Breaker Assembly			2019/04
S/N	Code	Name	Qty	Mark	
1	HC8510-05-01	Bead Breaker Cylinder Assembly	1		
2	HC8510-05-02	Fitting	2		
3	HC8510-05-03	Bead Breaker Assembly Barrel	1		
4	HC8510-05-04	Lock Nut M6	12		
5	HC8510-05-05	Y Ring 186X12X9	2		
6	HC8510-05-06	Lock Nut M16	2		
7	HC8510-05-07	O Ring d14X2.65	1		
8	HC8510-05-08	186 Piston	1		
9	HC8510-05-09	Piston Rod	1		
10	HC8510-05-10	O Ring d184X3.5	1		
11	HC8510-05-11	Cylinder Cap Weldment	1		
12	HC8510-05-12	Screw M6X16	12		
13	HC8510-05-13	O Ring d20X2.65	1		
14	HC8510-05-14	Oil Free Bearing 2015	1		
15	HC8510-05-15	Seal 30X20X7	1		
16	HC8510-05-16	Circlip 30	1		
17	HC8510-05-17	Bead Breaker Weldment	1		
18	HC8510-05-18	Lock Nut M10	2		
19	HC8510-05-19	Big Washer 14	1		
20	HC8510-05-20	Flat Washer 14	2		
21	HC8510-05-21	Lock Nut M14	1		

5		Bead Breaker Assembly			2019/04
S/N	Code	Name	Qty	Mark	
22	HC8510-05-22	Bead Breaker Arm Weldment	1		
23	HC8510-05-23	Bolt M10X70	1		
24	HC8510-05-24	Bolt M10X90	1		
25	HC8510-05-25	Spring	1		
26	HC8510-05-26	Handle Rubber	1		
27	HC8510-05-27	Horizontal Shaft	1		
28	HC8510-05-28	Circlip 40	2		
29	HC8510-05-29	Lock Pin M14X40	2		
30	HC8510-05-30	Screw M14	2		
31					
32					
33					
34					
35					
36					
37					
38					
39					
40					
20					
21					



6		Turntable Assembly			2019/04
S/N	Code	Name	Qty	Mark	
1	HC8510-06-01	Square Turntable Weldment	1		
2	HC8510-06-02	Alu Rivet	8		
3	HC8510-06-03	Pressing Washer	1		
4	HC8510-06-04	Circlip 12	4		
5	HC8510-06-05	Air Cylinder Assembly	2		
6	HC8510-06-06	Claw	4		
7	HC8510-06-07	Claw Seat	4		
8	HC8510-06-08	Sliding Plate	4		
9	HC8510-06-09	Slider Weldment	2		
10	HC8510-06-10	Flat Washer Class A 12	4		
11	HC8510-06-11	Bolt M12X55	4		
12	HC8510-06-12	Bolt M10X25	4		
13	HC8510-06-13	Cylinder Seat Weldment	2		
14	HC8510-06-14	Pin	4		
15	HC8510-06-15	Pulling Rod Assembly	4		
16	HC8510-06-16	Pulling Rod	8		
17	HC8510-06-17	Bushing	4		
18	HC8510-06-18	Bushing	4		
19	HC8510-06-19	Pin	4		
20	HC8510-06-20	Circlip 12	8		
21	HC8510-06-21	Air Distributor Assembly	1		

6		Turntable Assembly			2019/04
22	HC8510-06-22	Fitting $\phi 8 \frac{1}{8}$ "	4		
23	HC8510-06-23	Inner Bushing	1		
24	HC8510-06-24	O Ring d60X2.65	3		
25	HC8510-06-25	Outer Bushing	1		
26	HC8510-06-26	Circlip 30	1		
27	HC8510-06-27	Seal 20X30X7	2		
28	HC8510-06-28	Oil Free Bushing 2013	2		
29	HC8510-06-29	O Ring d20X2.65	2		
30	HC8510-06-30	Cover	2		
31	HC8510-06-31	Piston Rod	2		
32	HC8510-06-32	Big Washer 12	4		
33	HC8510-06-33	Piston 75	2		
34	HC8510-06-34	Elastic Washer 12	2		
35	HC8510-06-35	Bolt M12	2		
36	HC8510-06-36	Dual-end Screw Rod M8	8		
37	HC8510-06-37	Cylinder Barrel	2		
38	HC8510-06-38	O Ring D70X2.65	4		
39	HC8510-06-39	End Cover	2		
40	HC8510-06-40	Fitting $\phi 8 \frac{1}{8}$ "	4		
41	HC8510-06-41	Lock Nut M8	16		
42					