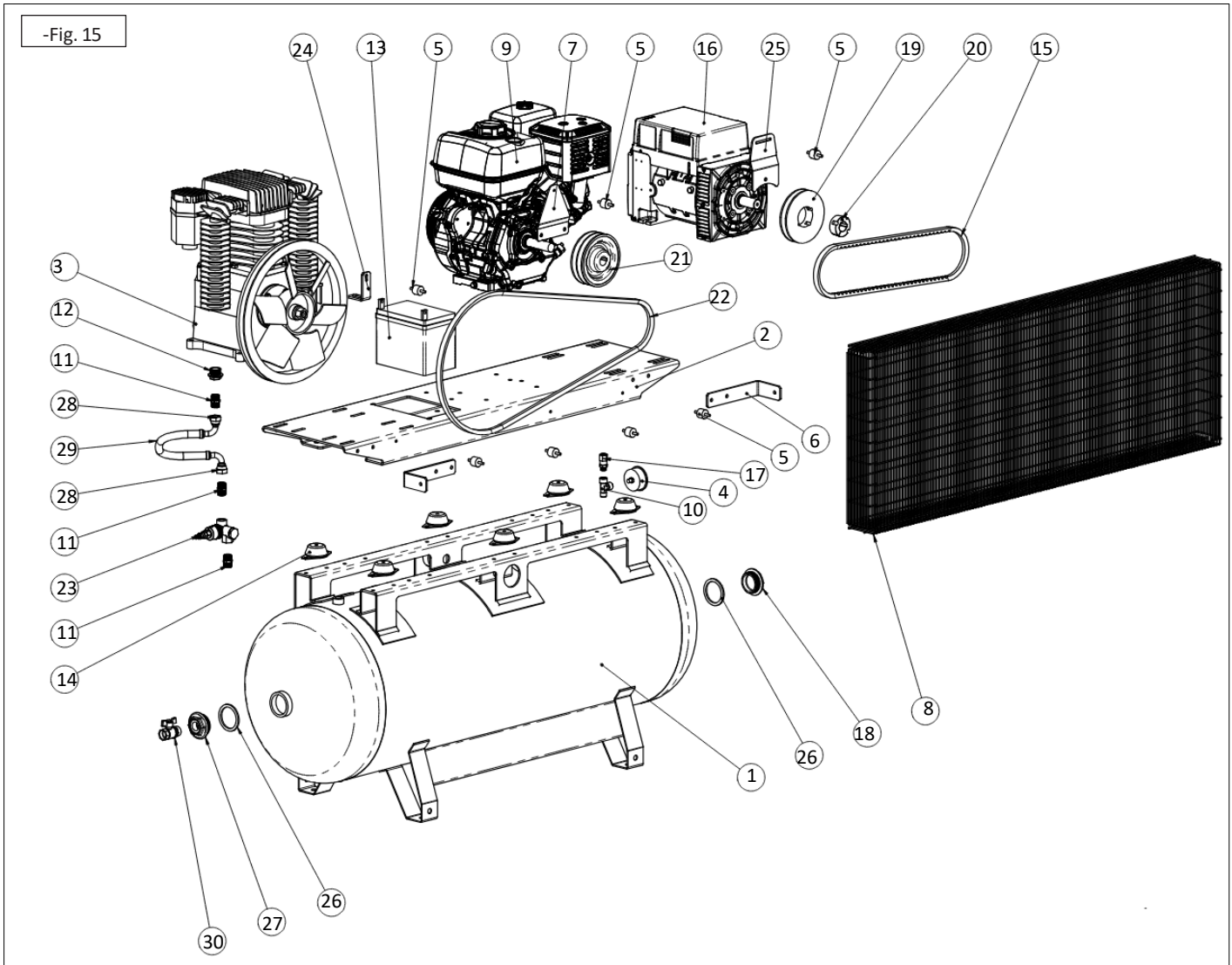


**Serie GENAIR**  
**Moto compressor with generator**

**11 - SPARE PARTS**

**11.1 – GA-B 270/ GA-D 270**



ENG

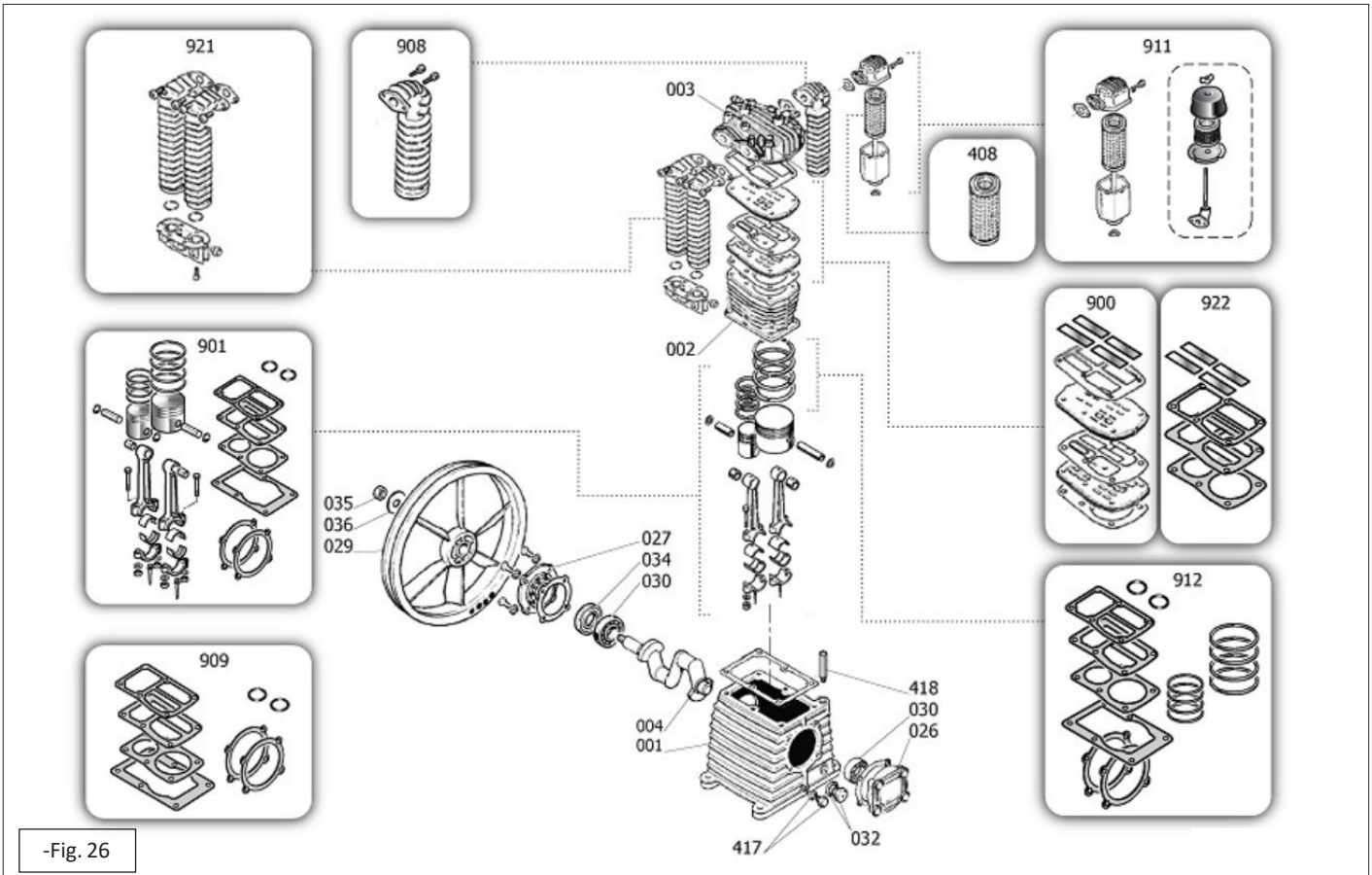
Serie GA-B 270 / GA-D 270 Spare parts			
Pos	Code	Q.ty	Description
1	V-MS001049	1	Complete tank LT.270 Motor compressor
2	MB000010	1	Moto compressor base
3	12205	1	Complete K30 cylinder head
4	MM002001	2	ABS pressure gauge 63 - 16 G1/4"
5	MA001003	7	Antivibrante Ø25 H20 M6 MM
6	MS007801	2	Bracket for GENAIR network
7	MS007801	1	Bracket for GENAIR network
8	MR004015	1	GENAIR moto compressor protection net
9	MMB01001	1	Motor
10	MROT291001	1	Brass lateral male T fitting 3/8" FFM
11	MROT200003	3	1/2" conical nipple
12	MRF200006	1	1"-1/2" AC flanged reducer
13	MB003001	1	30Ah starter battery
14	MA001011	6	Sirio 105/CID M10 bell-shaped vibration damper

**Serie GENAIR**  
**Moto compressor with generator**

**ENG**

<i>Serie GA-B 270 / GA-D 270 Spare parts</i>			
<i>Pos</i>	<i>Code</i>	<i>Q.ty</i>	<i>Description</i>
15	MC002102	1	XPB 1320 V-Belt
16	MA003001	1	A12S10X - M-MR-T-TR 100S B34
17	MV002002	1	Safety valve M 3/8" 11 Bar
18	MRF100006	1	2" flanged cap in galvanized steel
19	MP001500	1	1 SPB 140 pulley for U16.10 bush
20	MP001500	1	1 SPB 140 pulley for U16.10 bush
21	MP001010	1	Aluminum pulley 2 SPB dp140 hole 1"
22	MC001203	1	B76 V-belt
23	MV003201	1	1/2" FS Vmc disconnect valve
24	MS007802	1	Net bracket for K28 - K30
25	MS007803	1	Bracket for GENAIR net (Engine side)
26	MG002001	2	Gasket NA 1003 th.4 G 2"
27	MRF200014	1	Steel flanged reduction. zinc. from 2" - 3/4"
28	MRM002000	2	1/2" PUSH-LOCK FG90 fitting
29	MTM001001	1	1/2" PUSH-LOCK series air hose
30	MV0060003	1	Ball valve with butterfly MF 3/4"

11.2 – Pumping group K30



-Fig. 26

ENG

Spare parts K30 Pump			
Pos	Code	Q.ty	Description
1	MK006709	1	CARTER
2	MK006710	1	CYLINDER
3	MK006705	1	HEAD
4	MK006711	1	TREE
26	MK006712	1	FRONT COVER
27	MK006713	1	REAR CARTER SUPPORT
29	MK006714	1	FLYWHEEL
30	MK006715	2	BEARING 6206 C3
32	MK006687	1	OIL LEVEL INDICATOR
34	MK006716	1	SEALING RING
35	MK006717	1	FLYWHEEL SCREW
36	MK006718	1	FLYWHEEL WASHER
408	MK006696	1	MPK ELEM.FILTR.EXA K17-K50
417	MK006693	1	OIL DRAIN CAP
418	MK006719	1	BREATHER CAP KIT
900	MK006408	1	MPK VALVE PLATE K30
901	MK006417	1	MPK PISTON-ROD K30
908	MK006440	1	MPK K30 COLLECTOR
909	MK006007	1	MPK SEALS K30
911	MK006449	1	AIR FILTER KIT
912	MK006435	1	MPK SEGMENTS K30
921	MK006438	1	MPK INTERMEDIATE CONNECT. K30-60
922	MK006458	1	MPK MAINTENANCE PV K30-K60